

TRG M10

OWNER'S MANUAL



OWNER'S AND MAINTENANCE MANUAL
FOR SAKO TRG M10 SHARPSHOOTING SYSTEM

INTRODUCTION

1

OVERVIEW OF THE SYSTEM

2

SAFETY INSTRUCTIONS

3

INSTRUCTIONS FOR USE

4

MAINTENANCE

5

TECHNICAL DATA

6

TABLE OF CONTENTS

INTRODUCTION	4
CONVENTIONS FOR DEFINING ORIENTATION	4
LIST OF ABBREVIATIONS AND UNITS	5
INSTRUCTION TYPES	5
OVERVIEW OF THE SYSTEM	6
WEAPON IDENTIFICATION DATA	6
GENERAL.....	6
RIFLE'S OPERATING CONTROLS	7
OVERVIEW OF THE RIFLE COMPONENTS	8
Receiver	8
Bolt.....	9
Barrel	9
Trigger	10
Magazine.....	10
Fore-end	11
Rear stock assembly	11
AMMUNITION.....	12
SAFETY INSTRUCTIONS	13
IMPORTANT SAFETY INSTRUCTIONS.....	13
OPERATION OF THE SAFETY	14
INSTRUCTIONS FOR USE	15
GENERAL INSTRUCTIONS FOR USE	15
USING THE RIFLE	15
Initial cleaning.....	15
Operating the bolt	16
Removing and inserting the magazine	17
Loading the magazine	17
Before starting to use the rifle.....	18
Use in low temperatures	19
Firing	19
Rifle scope mounting.....	20

Bore-sighting 20

Sighting-in 21

Operating the folding stock 22

Accessories 23

Storage of the rifle 26

MAINTENANCE 27

 REQUIRED TOOLS 27

 ROUTINE CLEANING AND LUBRICATION 28

 PERIODIC MAINTENANCE 29

 MAINTENANCE ITEMS AND ADJUSTMENTS 30

 Disassembling and assembling the bolt 30

 Magazine 31

 Adjustments of the trigger mechanism 31

 Changing the caliber configuration 33

 Removing the folding stock 35

 Tightening of the receiver screws 35

 Removing and re-attaching rear hook 36

 Changing pistol grip rear section 36

 TROUBLESHOOTING – POSSIBLE CAUSES AND SOLUTIONS 37

 TROUBLESHOOTING CHART 37

TECHNICAL DATA 40

1 INTRODUCTION

Thank you for choosing 'the' high-performance Sako precision rifle!

The Sako TRG is an accuracy concept designed to accomplish a single-minded mission: to hit the target, whatever it takes. It is the result of Sako innovation, giving you performance that surpasses the highest demands for accuracy, reliability and versatility.

This manual contains general use and maintenance guidance for users of the SAKO TRG M10 precision rifle. For higher level maintenance operations, refer to the authorized SAKO dealer.

All the information included in this manual is accurate at the time of publication. However, Sako reserves the right to make changes at any time without prior announcement. This enables continuous product development and product improvements.

⚠ WARNING

Before operating the weapon, read and understand the manual contents, especially the safety instructions! Keep this manual, and review it periodically. If you sell or transfer the rifle, make sure the manual goes with it.

CONVENTIONS FOR DEFINING ORIENTATION

To help you understand this manual, figure 1 provides conventions for defining orientation used in this manual.

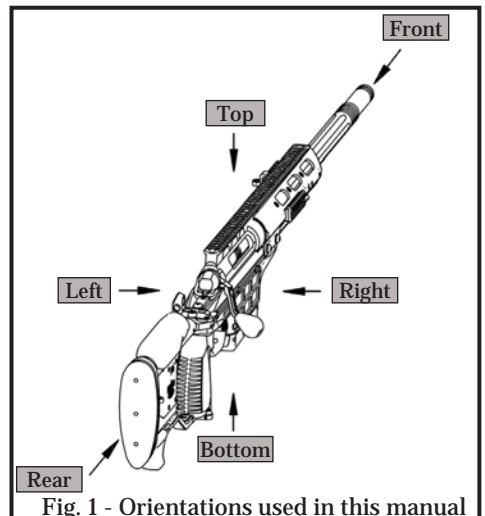


Fig. 1 - Orientations used in this manual

LIST OF ABBREVIATIONS AND UNITS

The table below gives the meaning of abbreviations and units used in this manual.

ABBREVIATION	MEANING
cal.	Caliber
C.I.P.	Commission internationale permanente pour l'épreuve des armes à feu portatives
CLP	CLP Regulation ("Classification, Labelling and Packaging")
Fig.	Figure
g	gram
in.	inch
kg	kilogram
lb	pound (mass)
MIL-STD	Military Standard
mm	millimetre
MOA	Minute of Angle
Nm	Newton metre
QD	Quick Detachable
SAAMI	Sporting Arms and Ammunition Manufacturers' Institute

INSTRUCTION TYPES

Instructions in this manual are structured in various instruction types to make it easier to read the manual and to improve personal safety. Pay attention and read carefully ALL highlighted WARNING and CAUTION text boxes in this manual.

⚠ WARNING

A WARNING sign indicates a condition in which accident, serious injury or even death could result if the WARNING is neglected.

⚠ CAUTION

A CAUTION sign indicates a condition that can cause damage to your weapon if the CAUTION is neglected.

ⓘ NOTICE

A NOTICE sign indicates a condition that can be interesting or helpful in the corresponding subject.

2 OVERVIEW OF THE SYSTEM

WEAPON IDENTIFICATION DATA

- Manufacturer: SAKO Ltd. Riihimäki, Finland
- Type: TRG M10
- Denomination: SAKO TRG M10

You will find the model and serial number of the rifle stamped on the side of the receiver, while the caliber is shown on the side of the barrel. The bolt of your rifle is packed separately in the package.

GENERAL

SAKO TRG M10 precision rifle is a modular and configurable bolt-action rifle featuring multi-caliber capability with a detachable magazine. Characteristic to the modular construction of the TRG M10 is the receiver assembly in which the barrel, fore-end and rear stock are attached. Due to the free-floating barrel and solid mounting of the main components, the accuracy of the rifle is extremely high. The weapon has an improved safety mechanism that allows the removal of a chambered round when the safety is engaged ON.

The main features of the weapon are:

- Pinpoint accuracy
- High operating safety
- Ergonomic handling characteristics
- Multi-caliber capability and modularity
- Configurable in field conditions without external tools

TRG M10 is considered to be effective up to a distance of 1500 meters and beyond when using .338 Lapua-Magnum caliber. The MIL-STD-1913 rail on top of the receiver and on all four sides of the fore-end allows the use of various devices or accessories (day scope, night sight, bipod, sling attachment etc.).

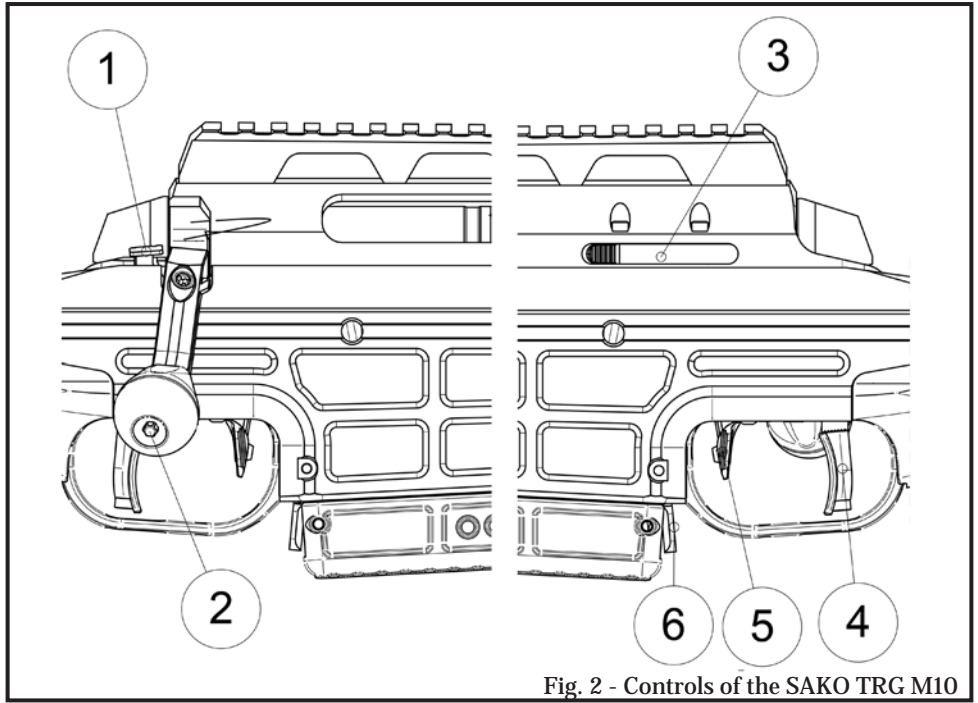
RIFLE'S OPERATING CONTROLS

Fig. 2 - Controls of the SAKO TRG M10

The SAKO TRG M10 rifle is equipped with the following controls (Fig. 2):

1. Bolt opening release
2. Bolt handle
3. Bolt stop
4. Trigger
5. Safety
6. Magazine catch

OVERVIEW OF THE RIFLE COMPONENTS

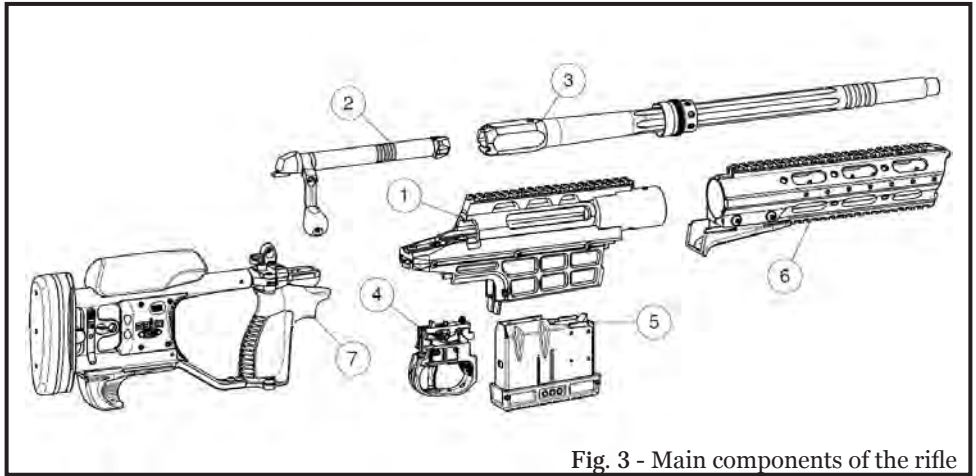


Fig. 3 - Main components of the rifle

The SAKO TRG M10 comprises of the following main components (Fig. 3):

1. Receiver assembly
2. Bolt assembly
3. Barrel assembly
4. Trigger mechanism
5. Magazine
6. Fore-end assembly
7. Rear stock assembly

RECEIVER

The receiver assembly consists of a CrMo steel upper receiver and an aluminium lower receiver. The MIL-STD-1913 Picatinny rail is permanently attached to the top of the receiver. The rail has 20 MOA or 30 MOA forward slopes.

1. Receiver
2. MIL-STD-1913 rail
3. Tubular extension for barrel attachment
4. Magazine well
5. Cable management channel (for operating controls)
6. Cable securing plugs.

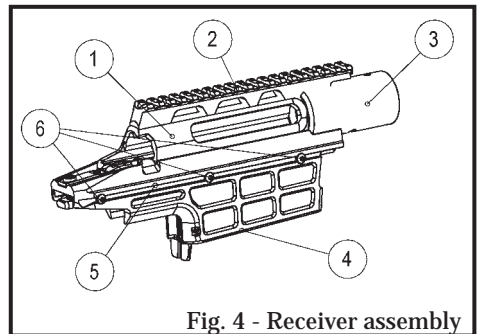


Fig. 4 - Receiver assembly

BOLT

TRG M10 bolt has three symmetrical locking lugs for secure locking and a reduced bolt lift angle. Double plungers take care of reliable extraction of cartridges.

1. Bolt
2. Identification grooves
3. Locking lugs
4. Firing pin
5. Firing pin spring
6. Firing pin guide
7. Bolt shroud

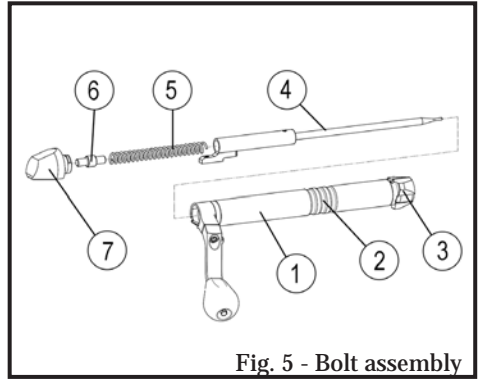


Fig. 5 - Bolt assembly

CALIBER IDENTIFICATION

Each caliber configuration of TGR M10 features specific size barrel, bolt and magazine. The barrel and bolt have identification grooves in the middle section. The magazine has identification circles on the sides of the bottom. Different calibers can be identified according to the following table:

NUMBER OF GROOVES/CIRCLES	CALIBER
1	.308 Winchester
2	.300 Winchester Magnum
3	.338 Lapua Magnum

BARREL

The TRG M10 features free-floating, cold-hammer forged heavy barrel for extreme accuracy. Fluted middle section allows weight reduction and improved heat transfer. The barrel has an M18x1 muzzle thread for suppressor or muzzle brake attachment.

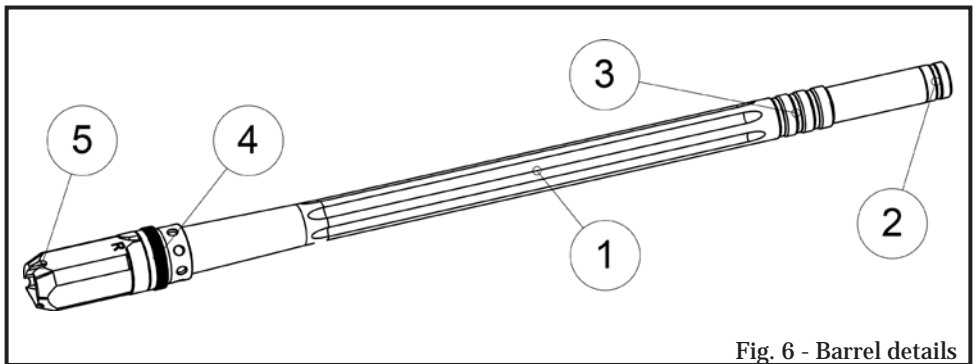


Fig. 6 - Barrel details

1. Barrel fluting
2. Muzzle thread cover (M18x1)
3. Identification grooves
4. Barrel nut
5. Guiding slot

TRIGGER

The TRG M10 is equipped with an adjustable two-stage trigger. The first stage movement requires a slight pull pressure to overcome “slack” built into the trigger. The second stage fires the weapon when there is a small increase in pull pressure.

1. Trigger guard
2. Adjustable trigger lever
3. Trigger adjustment screw
4. Pull weight adjustment screw
5. Safety lever
6. Fastening screw

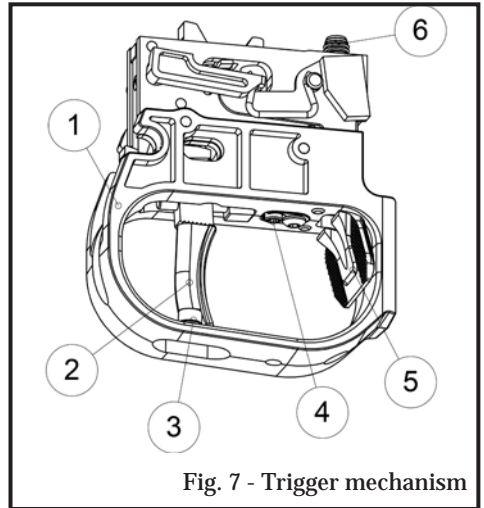


Fig. 7 - Trigger mechanism

MAGAZINE

The detachable magazine has two row staggered center-feeding. Tactile circles on the sides of the bottom provide caliber identification: one circle in .308 Win, two circles in .300 Win Mag and three circles in .338 Lapua Mag.

1. Steel magazine box
2. Tactile identification circles
3. Magazine locking gap
4. Feeding lips
5. Magazine follower

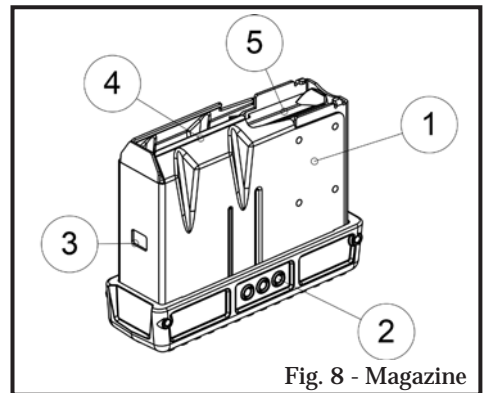


Fig. 8 - Magazine

FORE-END

The aluminium fore-end works as a heat shield around the barrel. It also transfers the heat mirage away from the center line of the optics. There are several accessory mounting options available (MIL-STD-1913).

1. Top rail (MIL-STD-1913) for accessory mounting.
2. Side rails (MIL-STD-1913)
3. Bottom rail (MIL-STD-1913)
4. Fore-end fastening screws
5. Detachable tool compartment

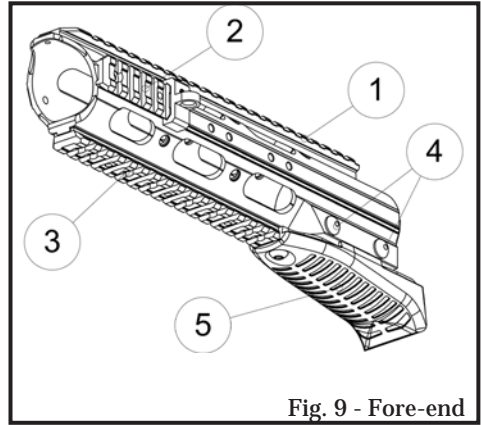


Fig. 9 - Fore-end

REAR STOCK ASSEMBLY

The rear stock of the TRG M10 is foldable to make the rifle more compact and maneuverable. The stock provides multiple adjustment options to fine-tune the position for every preference.

1. Changeable pistol grip rear section
2. Rear stock folding button
3. Adjustable cheek piece
4. Cheek piece adjustment button
5. Adjustable recoil pad
6. Recoil pad height adjustment
7. Length of pull adjustment button
8. Sling swivel attachment points
9. Rear hook / rail cover
10. MIL-STD-1913 rail for accessory mounting.

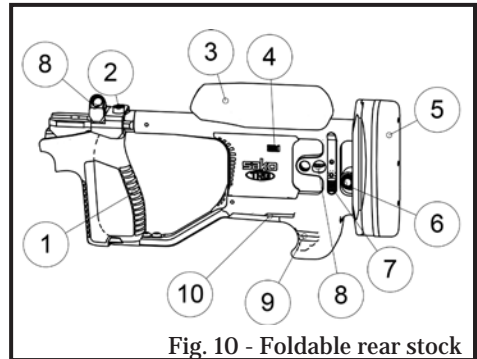


Fig. 10 - Foldable rear stock

AMMUNITION

The SAKO TRG M10 is designed to use cartridges manufactured according to CIP specifications. Make sure that you use only high quality, factory manufactured ammunition that match your rifle caliber and specifications. Do not use cartridges that are dirty, wet, corroded, dented or damaged. Do not oil cartridges. Any of these things can make ammunition dangerous, and can cause damage to the firearm or injury to the shooter.

We recommend that you use *Sako Cartridges* with Sako rifles. This way you can ensure reliable, safe and accurate operation of the rifle. Consult your local Sako dealer to get more information about Sako Cartridges suitable for your caliber and use.



Fig. 11 - Sako Cartridges

⚠ WARNING

The use of reloaded, hand-loaded, remanufactured or other non-standard ammunition voids all warranties, and may cause severe damage to the firearm and serious injury to the shooter or others. Improperly loaded ammunition can be extremely dangerous. Always use ammunition that complies with industry performance standards established by the Sporting Arms and Ammunition Manufacturers Institute, Inc. (SAAMI) or Commission Internationale Permanente pour l'Épreuve des Armes à Feu portatives (C.I.P.). SAKO Ltd. does not accept any liability for any damage or injuries caused by reloaded/hand-loaded or otherwise improper ammunition.

3 SAFETY INSTRUCTIONS

⚠ WARNING

Failure to observe any of the safety instructions and warnings could result in serious injury or death.

Always maintain firearm safety by following the safety instructions below. As a gun owner, YOU have a set of responsibilities for the safe use of the weapon. Neglecting these responsibilities could result in serious injuries or even death.

IMPORTANT SAFETY INSTRUCTIONS

- Ensure that the chamber is empty and point the muzzle in a safe direction.
- Always handle the rifle as if it was loaded, cocked and ready to fire.
- Keep the safety ON until you are ready to fire.
- Never rely totally on a weapon's safety device.
- Before handling the weapon or handing it to someone, always open the bolt immediately and check that the weapon's chamber is empty.
- Always wear ear and eye protection when shooting. Make sure that people around you are protected as well.
- Before firing, ensure that the barrel is free from obstructions. When the weapon is fired even a small obstruction may cause permanent damage in the barrel.
- Any preventive oil or storage grease on the weapon, especially in the barrel or in the trigger mechanism, must be removed before firing.
- Clean and lubricate the rifle after firing or field operation. Ensure that the barrel and the chamber are left clean and properly lubricated when the rifle is stored.
- The weapon must be unloaded during transportation.
- In case of malfunctioning or any unusual functioning in the operation of the rifle, firing must be ceased immediately. The cause of the malfunction must be determined and corrected.
- In the event that correcting the malfunction is beyond the user's capabilities, the rifle and a fault description must be delivered to qualified maintenance for inspection and corrective procedures.

Before the first shot:

- Read and understand the contents of this Instruction Manual.
- Remove the preventive lubrication or storage grease from the rifle.
- Perform necessary preparations ("Before starting to use the rifle" on page 18).

In case of a misfire:

- Point the muzzle in a safe direction and wait 30 seconds before opening the bolt. Then, open the bolt with extreme care and remove the faulty cartridge. Take the rifle to an authorized gunsmith to locate the cause of the problem.

OPERATION OF THE SAFETY

“The safety” is a weapon’s mechanism that blocks the trigger, sear, hammer or firing pin. The safety lever is located inside the trigger guard extending to the sides, where it can be reached by the index finger. The safety is engaged ON when the safety lever has been pulled backwards to its rearmost position (A) (Fig. 12).

When the safety is engaged ON it locks:

- the bolt in the closed position
- the firing pin to the cocked position
- the trigger unit is locked

While the safety is engaged ON the bolt can be opened by pushing the bolt opening release and simultaneously lifting the bolt handle (Fig. 13).

The safety is engaged OFF, i.e. the rifle is ready to fire, when the safety lever has been pushed forward to its foremost position (B) (Fig. 12). When silent use of the safety is required, the user can use the thumb and index finger together when moving the safety lever.

ⓘ NOTICE

The safety can only be engaged when the rifle is cocked or when the bolt has been opened. In case the rifle is not cocked the safety bounces back to its forward position.

⚠ WARNING

Don’t shoot unless you are absolutely sure of your target and what is beyond it. Remember that a bullet from the rifle can cause serious injury or damage even at a distance of 8 kilometers (5 miles).

⚠ WARNING

The manual safety is to minimize the potential for firing in the event of an unintentional pulling of the trigger. The manual safety and the rifle’s other safety features provide only partial protection against firing from other causes. The safety is only a mechanical device. It is not a substitute for safe firearm handling.

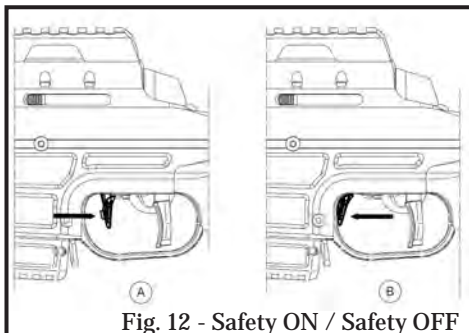


Fig. 12 - Safety ON / Safety OFF

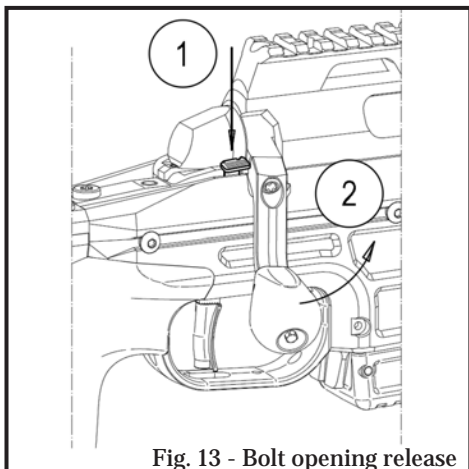


Fig. 13 - Bolt opening release

4 INSTRUCTIONS FOR USE

GENERAL INSTRUCTIONS FOR USE

It is important to follow the instructions of the SAKO TRG M10 in order to keep it in proper operating condition and also to protect the user from unnecessary injuries. The SAKO TRG M10 rifle and its components must be properly lubricated after use with the lubricants provided, multi-purpose Break-Free CLP lubricant or another approved product to avoid corrosion or other degradation of the proper functioning.

The SAKO TRG M10 can only be fired with the bolt in the “bolt-closed” position. The cartridge is chambered from a loaded magazine by moving the bolt to its rearmost position and then to its closed-position, after which the rifle is cocked and ready to fire. Safety is engaged “ON” by pulling the safety lever to its rearmost position. When set “ON” the safety prevents the opening of the bolt. Safety can only be placed “ON” when the rifle is cocked or when the bolt has been opened. An empty case or live round is removed from the weapon by opening the bolt and pulling it backwards to its rearmost position. The bolt can also be opened when the safety is “ON” by pushing the bolt opening release knob behind the bolt handle.

USING THE RIFLE

INITIAL CLEANING

Various metal parts of the rifle have been coated with rust preventive storage oil at the factory. This oil needs to be removed before starting to shoot with the rifle. Clean the storage oil from inside the barrel, receiver, action and chamber areas with a cleaning rod and felt pellet moistened with high-quality gun oil. If your intention is to store the weapon, it is advisable to leave the storage oil on the metal surfaces.

ⓘ NOTICE – CLEANING PARTS WITH SPECIAL FINISHES

Be careful when cleaning camouflage or other special finishes. Too powerful rubbing and improper cleaning agents may damage these finishes.

OPERATING THE BOLT

For safety reasons it is recommended to operate the bolt when the safety is ON.

OPENING

To open the bolt, do the following:

1. When the safety is ON, open the bolt by pushing the bolt release knob (Fig. 14) and lifting the handle upwards.
2. Pull the bolt backwards, until its movement is stopped by the bolt stop.

If the safety is OFF, it is unnecessary to push the bolt release knob when opening the bolt.

CLOSING

To close the bolt, do the following:

1. Push the bolt forward and when it reaches its forward position, turn down the bolt handle completely.
2. **THE RIFLE IS NOW COCKED AND READY TO FIRE**, if the safety is OFF.

Safety can now be engaged ON. When the safety is ON, the bolt can be opened only by pushing the bolt opening release at first.

⚠ CAUTION

The bolt of the TRG M10 features spring-loaded double plunger ejectors that throw cases when reaching certain point at the rearward movement. As a result, it is unnecessary to use excessive force to ensure complete ejection of cases. The bolt hitting the bolt stop with excessive force may damage the weapon.

REMOVAL OF THE BOLT

1. Fold the rear stock to the right side of the rifle or raise the cheek piece to the uppermost position (1, (Fig. 16).
2. Press and hold the bolt opening release (2).
3. Simultaneously pull the bolt backwards out of the receiver (3).

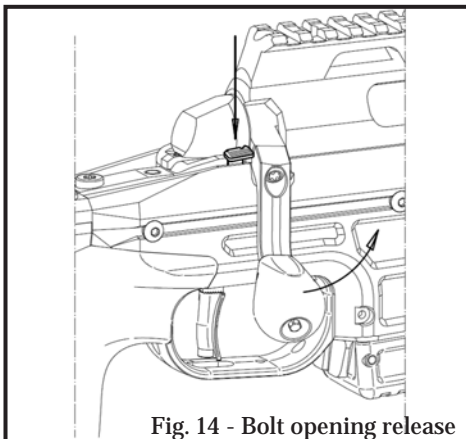


Fig. 14 - Bolt opening release

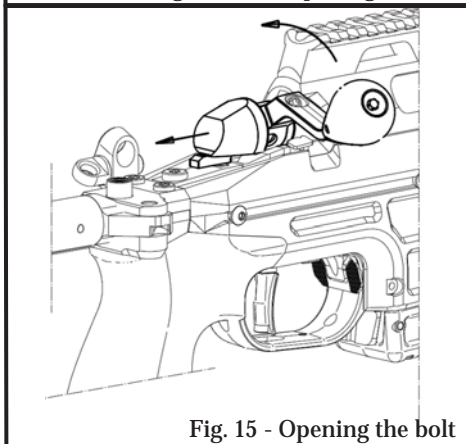


Fig. 15 - Opening the bolt

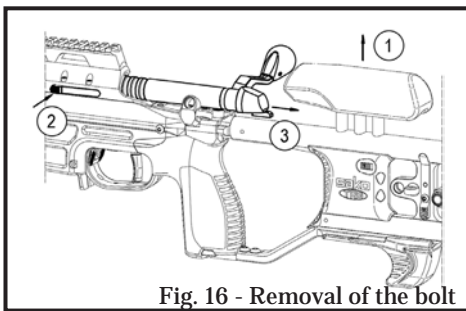


Fig. 16 - Removal of the bolt

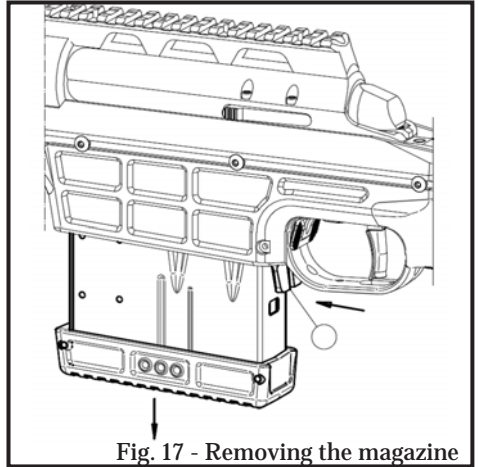
REMOVING AND INSERTING THE MAGAZINE

REMOVAL OF THE MAGAZINE

1. Push the magazine catch, located in front of the trigger guard, forward (Fig. 17)
2. The magazine falls freely out of the magazine well into your hand.

INSERTING THE MAGAZINE

1. Push the magazine upwards into the magazine well and press it until the magazine catch locks it into its position.
2. When inserting a fully loaded magazine while the bolt is closed push the magazine firmly to ensure it locks properly.

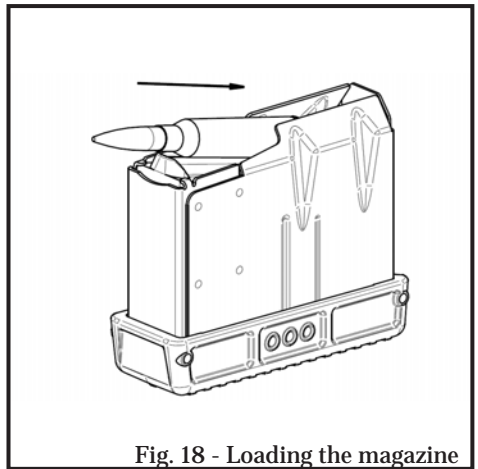


LOADING THE MAGAZINE

The magazine is loaded through the front part of the magazine by pushing the cartridge follower down with the cartridge case head, so that the case head sits under the retaining lip of the magazine, after this the cartridge is pushed to its rearmost position. Ensure that the cartridges stagger properly to keep the magazine at full capacity.

ⓘ NOTICE

Loading the magazine may be assisted by pushing the trailing cartridge or the magazine follower down with the thumb of the supporting hand.



ALWAYS BEFORE SHOOTING

Before every shooting session, follow the instructions below to ensure safety usage:

- Remove the bolt and visually inspect the barrel to ensure that the barrel and chamber are clean and obstruction-free.
- Remove excess oil from the bolt and breech area in the action.
- Clean the excess oil from the chamber. Then remove the oil from the bore by pushing a dry cleaning felt pellet (commercially available) through the barrel, from breech end to the muzzle.
- Make sure that locking lug surfaces (A), camming slope (B) and head of the cocking piece (C) are all lightly greased. (Fig. 19)
- Check the proper functioning of ejectors and extractor. If necessary, test the functioning of the ejectors and the extractor with dummy cartridges or empty cases.
- Insert magazine and verify the locking and functioning.
- Insert bolt and check proper functioning of the action **WITHOUT CHAMBERING LIVE CARTRIDGES**. The bolt must open and close smoothly.
- Test functioning of the trigger unit. The first stage pull must be clearly recognized and the trigger break point must be exact. Trigger movement must be smooth and the trigger must return to the forward position by its own spring tension.
- Test that the functioning of the safety is precise. With the safety ON, the rifle must not discharge when normal force is applied to the trigger.
- Check the fastening and condition of the fore-end, rear stock, cheek piece and recoil pad and verify the functioning of the adjustments.
- Check that the aiming device is attached in a proper way and that the fastening screws are tightened properly. If any of the fastening screws cannot be fastened properly, the screw must be replaced with a new one.
- Check the proper attachment of muzzle brake or suppressor (if equipped). If loose, it must be retightened by the user or depending type of attachment the rifle must be turned into qualified maintenance personnel for proper reattachment.
- Check the attachment of the bipod as well as the functioning and adjustments.

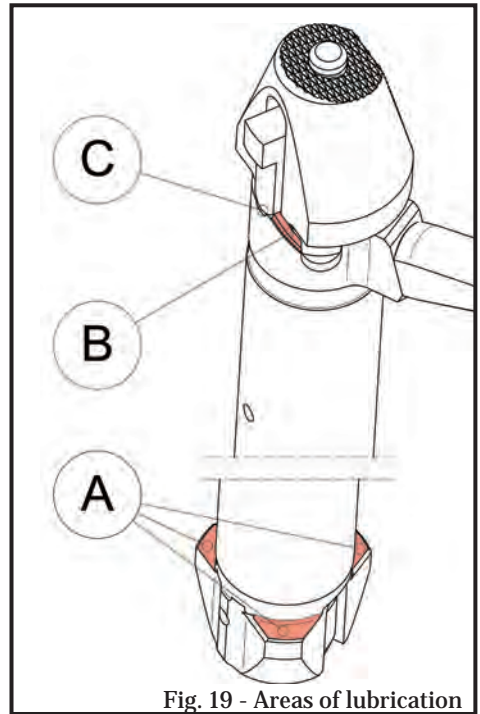


Fig. 19 - Areas of lubrication

⚠ WARNING

In case the operation of the items above differ from the description, follow the procedures described in the 'Maintenance' chapter or turn to qualified maintenance personnel.

USE IN LOW TEMPERATURES

In addition to the previous paragraph, some precautions must be taken when the rifle is being used in low temperatures. Before and during use in low temperature conditions the bolt must be disassembled and all oil or grease must be removed from the bolt components. However, the cocking surface and locking surfaces of the locking lugs must always be thinly greased. This will ensure reliable functioning of the rifle in sub-zero conditions.

FIRING

When you have carried out all of the procedures described in the previous paragraphs, your rifle is ready for firing. Wear adequate eye and ear protection whenever you shoot, and make sure that people around you are similarly protected. The weapon is fired as follows:

1. Load a cartridge into the magazine as explained previously.
2. Close the bolt and make sure that the safety is ON.
3. When shooting is imminent, move the safety to OFF position.
4. Take final aim and squeeze the trigger.
5. Open the bolt with a firm and clean action to eject the fired cartridge from the chamber.
6. Repeat the previous sequence to continue shooting.
7. When you are done with shooting, remove the magazine and make sure that there are no cartridges left in the chamber. Leave the bolt in the rearmost position.
8. Perform routine cleaning and maintenance according to the paragraph 'Routine cleaning and lubrication' in the 'Maintenance' chapter.

⚠ WARNING

Stop shooting immediately, and take the rifle to an authorized gunsmith or ship to the manufacturer/importer, if any changes in the functioning of your firearm are noticed. For example:

- **the functioning of the trigger mechanism has changed**
- **the rifle does not fire the cartridge (misfires)**
- **the safety lever does not operate**
- **there is any cartridge malfunction, such as escaping gas, a punctured primer, a bulged or ruptured case or a different sound when firing.**

⚠ WARNING

Move the safety to ON position immediately after reloading. Failure to adhere these instructions can lead to serious or fatal injuries. Always handle the rifle as if it was loaded, cocked and ready to fire.

⚠ CAUTION

Excessive trigger pressure must be avoided because it may lead to the damage of the trigger unit. In case of abnormal function of the trigger, contact the authorized repair service for system inspection.

RIFLE SCOPE MOUNTING

In order to attach a scope to the rifle, you need appropriate scope mounts. The rifle is equipped with a Picatinny rail on top of the rifle for rifle scope mounting. Before obtaining scope-mounts, check their compatibility with the rifle (mounting rail type, etc.). Please refer to the instructions for the mounting and use of scope mounts.

The following instructions are only general guidelines in the sighting-in of the scope. Specific procedures can vary depending on the scope make and model.

BORE-SIGHTING

The scope or sights need to be pre-aligned so that actual sighting-in procedure is easier. Bore-sighting can be done with a specific bore-sighter OR following the procedure below:

1. Place the rifle solidly on benchrest or other steady support (sandbag, etc.) and remove the bolt.
2. Place a target (e.g. paper sheet) at about 25-30 m distance.
3. Fold the rear stock so that you can look at the target through the bore. Make sure that the rifle is stationary.
4. Look through the scope or sights and adjust windage and elevation so that the reticle centers on the same target you see through the bore.

SIGHTING-IN

After bore-sighting, final sighting-in is done at a target set at 100-150 m distance. Again, it is best to do this from a solid benchrest or other steady support.

Please follow the adjustment directions and other instructions given by the manufacturer of the sight you will be using.

When you have prepared properly and are ready to start sighting-in, take the following steps:

1. Aim at the bullseye and fire 3 shots.
2. Unload the rifle and check the shot grouping with binoculars or a spotting scope.
3. Adjust the sight (elevation and windage) so that reticle moves to the center of the shot grouping.

Repeat the procedure until shot grouping is hitting in the proximity of the bullseye.

ⓘ NOTICE

Never shoot with rifle resting on the support from the barrel, and never use a hard shooting support (such as bare wood). Doing so can dramatically affect your groups.

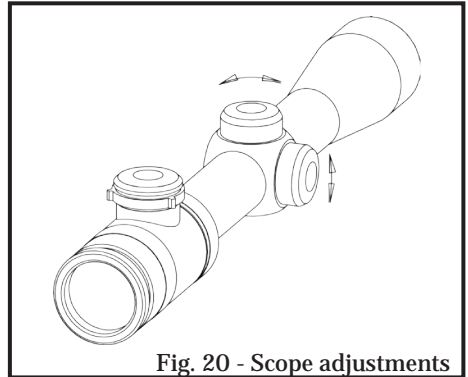


Fig. 20 - Scope adjustments

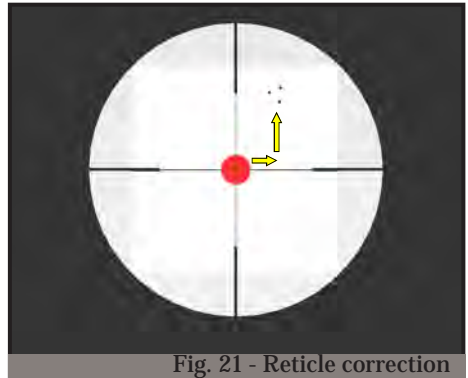


Fig. 21 - Reticle correction

OPERATING THE FOLDING STOCK**FOLDING AND UNFOLDING THE STOCK**

The rear stock can be folded as follows (Fig. 22):

1. Press the button on the top of the pistol grip and simultaneously fold the rear stock to the right.
2. The stock locks securely to the folded position.
3. The folding stock is opened by pushing the corresponding button and folding the stock parallel to the rifle until it locks securely to the open position.

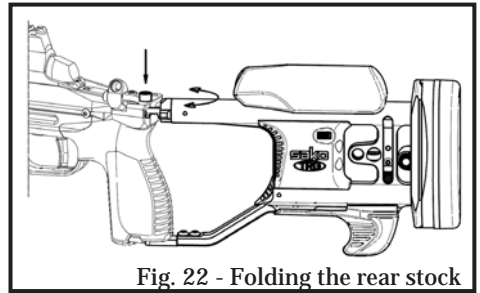


Fig. 22 - Folding the rear stock

ADJUSTING THE CHEEK PIECE

The height of the cheek piece is adjusted as follows:

1. Press Catch B (Fig. 23) either on the left or right side of the rear stock below the cheek piece.
2. The spring-loaded cheek piece (A) can be lowered or raised to the desired position in 3mm increments.
3. Height adjustment can be locked down with a Torx T10 set screw either on the left or right side of the catch (B).

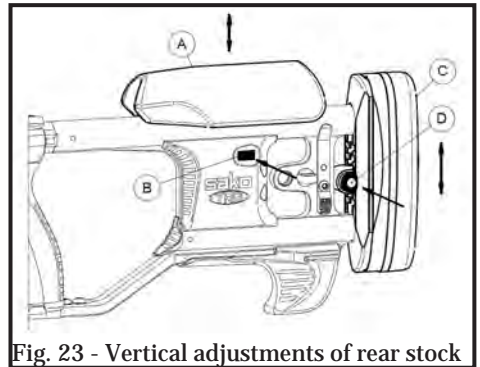


Fig. 23 - Vertical adjustments of rear stock

NOTICE

Make sure the locking of adjustment is opened before attempting to re-adjust the cheek piece.

VERTICAL ADJUSTMENT OF RECOIL PAD ASSEMBLY

The height of the recoil pad is adjusted as follows:

1. Press and hold Button D (Fig. 23) located on the left side of the rifle in front of Recoil pad C.
2. Slide recoil pad assembly up or down to the desired position at 7.2mm increments.
3. Releasing the push button locks the recoil pad assembly to the locked position.

The push button can optionally be reversed to the right side of the rifle.

Moreover, adjustment travel can be changed further to four different ranges as follows:

1. Remove the rubber recoil pad by removing the two T25 Torx screws.
2. Then, remove T25 Torx screw located on the middle of the aluminium plate.
3. Now, you have the two different attachment options both on the plate and on the button side.

ADJUSTING THE LENGTH OF PULL

The length of the pull can be adjusted as follows:

1. Press and hold the catch in the rear of the stock either from the left or right side of the rifle (Fig. 24).
2. The spring-loaded recoil pad assembly can be adjusted forward or rearward at 6 mm increments.
3. Release the catch and the recoil pad assembly locks into position.
4. The length of pull position can be locked down with a Torx T10 set screw either on the left or right side of the catch B (Fig. 25).

ⓘ NOTICE

Make sure the locking of adjustment on length of pull is opened before attempting to readjust the recoil pad.

ⓘ NOTICE

Remember which side you are using for locking for the next time you need to make adjustments.

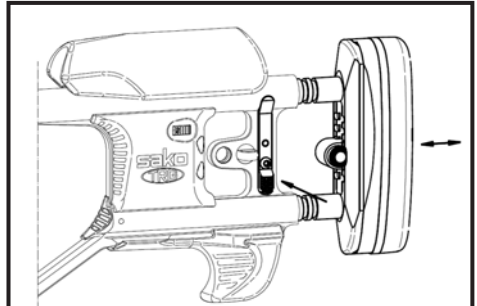


Fig. 24 - Adjustment of the length of pull

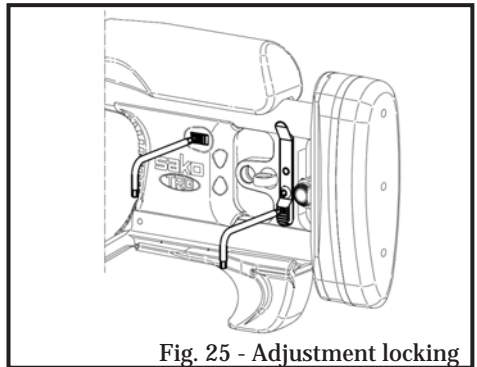


Fig. 25 - Adjustment locking

ACCESSORIES

This chapter contains description and use instructions of the main accessories and optionals available for the SAKO TRG M10 rifle.

SLING

The multipurpose sling consists of: sling, sliders (4pcs) and quick detachable sling swivels (2pcs).

Sling is assembled as follows:

1. Remove all the sliders from the sling.
2. Pass the upper QD sling swivel and the slider to the sling so that the outer end of the sling remains approximately 20cm longer than the inner end.
3. Pass the remaining sliders to the sling at equal intervals.
4. Pass the lower QD sling swivel to the outer sling and the end of the sling back to the lowest buckle.

Utilizing the sling

The sling is multipurpose, and has several functions:

- Regular carrying on shoulder or behind neck
- Can be configured to be used as a biathlon sling / shoulder harness
- Regular shooting sling around supporting arm of the user.

Different functions are configured by relocating sliders on the sling.

- In the rear part of the weapon sling can be attached on either side of the folding stock or on top of the hinge via the QD sling swivel.
- In the front part of the weapon the sling can be mounted on either on the side of the fore-end in different locations or on modular side rails.
- The sling is detached by pushing the button in the center of the QD sling swivel and by pulling the swivel out of its attachment point.

Sling swivel socket

The SAKO TRG M10 rifle can be equipped with a sling swivel socket that can be assembled on the left or the right side of the fore-end when the short side rail or no side rail is used.

The sling swivel socket is assembled to the free option on the side rail mounting positions.

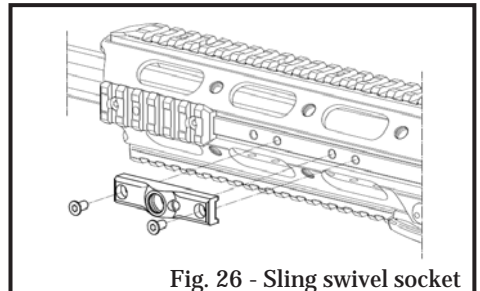


Fig. 26 - Sling swivel socket

BIPOD

The SAKO TRG M10 rifle can be equipped with an adjustable quick detachable bipod.

The bipod is mounted to the 6 o'clock MIL-STD-1913 rail by opening the latch of the quick attach interface, rotating the bipod with interface over the MIL-STD-1913 rail and closing the latch. Follow the instructions provided with the bipod for use and maintenance.

HARD CASE FOR WEAPON AND ACCESSORIES

The SAKO TRG M10 rifle can be equipped with a dust and water proof case. The hard case has a pre-cut closed cell foam interior with several compartments for accessories.

The hard case has carrying handles at both ends and in the mid-section of the latch side and wheels at one end to enable easier transportation.

SUPPRESSOR

SAKO TRG M10 can be equipped with a suppressor that can be fitted to 18x1 threads.

⚠ CAUTION

Follow the instructions supplied with the suppressor when attaching the suppressor to the rifle. Never store the rifle with the suppressor on.

MUZZLE BRAKE

The SAKO TRG M10 can be equipped with a Sako muzzle brake (Fig. 27) or equivalent that mitigates recoil and reduces flash signature during shooting. The Muzzle brake is correctly positioned when the exhaust gas channels are positioned to the sides and the mirage strap fitting screw (1) is pointing upwards.

SAKO TRG muzzle brake is attached as follows.

1. Remove the muzzle thread protector by turning it counter-clockwise, if fitted.
2. Attach the muzzle brake to the barrel and rotate it clockwise until it reaches the end of the thread.
3. Turn the muzzle brake slightly counter-clockwise until it is positioned correctly.
4. Tighten the fastening screw (2) to 10 Nm torque.

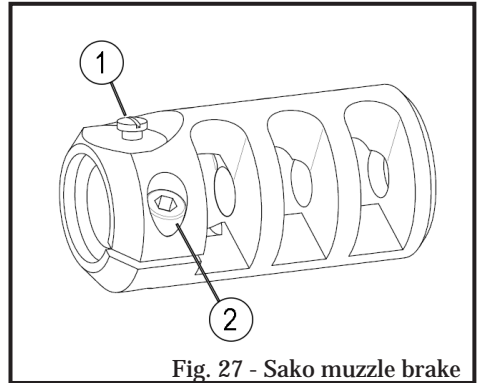


Fig. 27 - Sako muzzle brake

CALIBER CHANGE KIT

The TRG M10 features specific caliber change capability. By obtaining the separately available caliber change kit, the user can adapt the rifle for different use conditions. The caliber change kit consists of the following caliber specific components (Fig. 28):

- Barrel assembly (1)
- Bolt (2)
- Magazine (3)

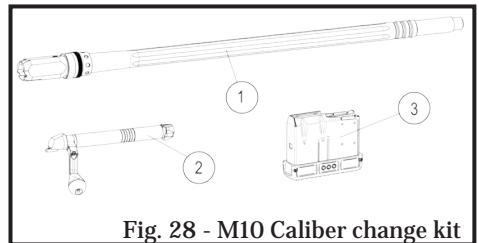


Fig. 28 - M10 Caliber change kit

Turn to your local Sako dealer to obtain more information about the caliber change kit. Instructions for caliber change are described in the 'Maintenance' chapter.

MONOPOD

It is necessary to remove the rear hook (if fitted) before attaching the monopod.

The monopod is attached as follows:

1. Extend the length of pull to the rearmost position (Fig. 42).
2. Push the front part of the rear hook downwards and simultaneously push the rear hook backwards until it is released from the rail.
3. Make sure that the fastening screw (1, Fig. 29) is sufficiently loosened. Then, attach the monopod (2) to the front part of the picatinny rail as illustrated.
4. Tighten the fastening screw (1) with a Torx T25 screwdriver.

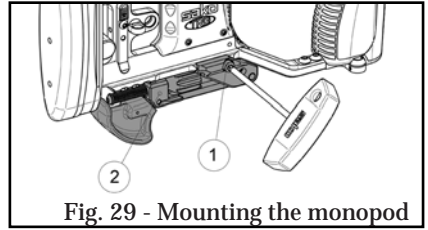


Fig. 29 - Mounting the monopod

The rear support locks when in uppermost position to prevent accidental opening (e.g. during transportation). To use monopod, do the following (Fig. 30):

1. Press button (1) and pull the rear support slightly downwards to release the locking mechanism.
2. Push lever (2) downwards and move the rear support to desired position. Upon releasing the lever the rear support will positively lock in to the position where adjusted. Downward adjustment does not require pushing the lever.
3. Fine adjustment is done by rotating adjustment wheel (3).

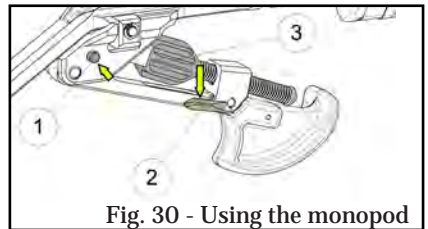


Fig. 30 - Using the monopod

4 **NOTICE**

If the rear support release button feels stuck when monopod is in uppermost position, open adjustment wheel (3, Fig. 30) in order to release possible tension directed to release mechanism.

CLEANING KIT

The SAKO TRG M10 can be provided with a cleaning / tool kit for maintenance and repair procedures performed by a user. Turn to local Sako Dealer to obtain more information about cleaning equipment specific to your rifle.

STORAGE OF THE RIFLE

Always store your firearm absolutely unloaded in a secure, dry place, where it will not be damaged and where children and unauthorized persons cannot gain access to it. Also, keep cartridges stored separately in a secure place.

NOTICE

Always follow the national legislation and regulations concerning the storage of the weapon. Rules depend on the country.

5 MAINTENANCE

The SAKO TRG M10 should always be handled with extreme care to prevent unintentional discharge and operational malfunctions, which are usually due to negligence or insufficient knowledge on the use on the rifle. Like all rifles, the SAKO TRG M10 must be cleaned and lubricated after use.

This section gives instructions to be followed to prevent malfunction due to normal wear and tear caused by regular use of the rifle. If the malfunction is identified promptly and immediate action is taken to eliminate the cause, it is possible to avoid more serious damage and maintain the operational status of the equipment.

REQUIRED TOOLS

Tools contained in the tools compartment are intended for temporary use only. For continuous and routine maintenance, use full-sized high-quality tools.

Tools required for maintenance by the user are listed below:

1. Screwdriver type hex key 1,5mm
2. T10, T15 and T25 Torx key with T-handle
3. Cleaning kit for firearm
4. Spanner wrench with torque wrench for barrel change.

The tool compartment (Fig. 31) under the fore-end contains T10, T15 and T25 Torx keys.

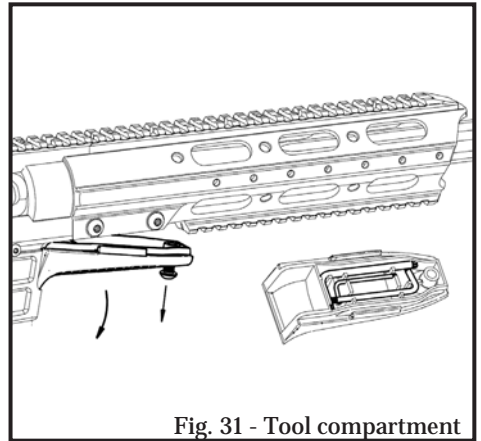


Fig. 31 - Tool compartment

ROUTINE CLEANING AND LUBRICATION

Routine cleaning should always take place right after the use of the rifle. Maintenance should not be neglected even in case of the “All-weather” or “Stainless” models, as the steel may still corrode. It is recommended to support the rifle with the bipod during cleaning. Use only the best quality SAKO gun oil (or equivalent), which cleans, protect and lubricates. Routine cleaning procedure is done as follows:

1. Ensure that the rifle is unloaded and remove the bolt and magazine
2. In case the rifle has been used in wet conditions dry it using compressed air or let it dry in a warm / dry place without any protective cover i.e. drag bag.
3. Use an absolutely straight, sturdy and smooth cleaning rod fitted with bronze bore brush soaked in bore solvent and push-pull it through the bore until major residues are removed (approx. 10-15 times). It is recommended to use cleaning rod guide to prevent the rod from dragging on the inner surfaces of the bore and receiver.
4. Push a clean, solvent-wetted felt pellet through the bore one after another until pellets come out clean (approx. 5-10 times). Clean only in the direction of bullet movement and replace dirty pellet with new before every cleaning sequence. Guide the cleaning rod with fingers or special bore guide.
5. Clean the inner surfaces of the receiver from all the firing residues with solvent-wetted felt pellet and/or brush.
6. Use a small solvent-wetted brush to clean the bolt from firing residues.
7. Use larger diameter nylon brush or particular chamber cleaning pellet moistened with bore solvent to clean the chamber.
8. Pass a regular bore pellet moistened with rust preventive oil through the bore.
9. Wipe all touching surfaces of the receiver and bolt with a very light coat of rust preventive oil.

⚠ WARNING

Make sure the weapon is not loaded with ammunition and that the magazine is out of the weapon before any kind of cleaning or maintenance procedures.

⚠ CAUTION

Never use emery paper, sand paper or other abrasive products to clean the weapon, especially the bore.

⚠ CAUTION

Use only lubricants and chemicals provided with the SAKO TRG M10 or the ones that have been previously approved for maintenance of small arms.

PERIODIC MAINTENANCE

Periodic maintenance should be carried out at least once a year or more frequently under heavy use or in severe conditions. Moreover, periodic maintenance is recommended if the rifle is to be stored for prolonged period. If it is necessary to change any parts, use only original factory spare parts. When loosening or tightening screws, ensure that the screwdriver is of appropriate size and shape. Poor tools will damage the screw heads and general appearance of the rifle.

Periodic maintenance is carried out as follows:

1. Carry out the routine cleaning.
2. It is advisable to remove copper fouling from the bore. When examining the front part of the bore, slight residue from the bullet copper jacket might be seen. There are various solvents and mechanical cleaners for this purpose, and we recommend that the instructions given by their manufacturers are followed. Badly fouled barrels can shoot inaccurately and will corrode much easier than carefully cleaned ones.
3. Wipe the rifle clean from dust, dirt etc. and lubricate all metal surfaces with a lubricated rag so that a light film of lubricant remains on the rifle.
4. Lubricate the sling swivel mounts and inspect their attachment to the rifle.
5. Disassemble the bolt as instructed in the manual, clean the dirt with solvent-wetted brush and lightly lubricate surfaces with protective oil.
6. Assemble the bolt and check the function of different parts (incl. extractors and ejectors).
7. Check the attachment of the sights and scope.
8. Clean muzzle brake and other accessories and lubricate them if needed.
9. Check tightness of all screws including stock and trigger guard screws.
10. Assemble the gun and check the functionality of components.

WARNING

Even a minor obstacle in the barrel may lead to permanent damage of the barrel when firing, and may cause severe injury to the shooter or bystanders.

MAINTENANCE ITEMS AND ADJUSTMENTS

Before carrying out any maintenance or service routine on the SAKO TRG M10 proceed as follows:

- Make sure the rifle is not loaded with ammunition.
- Push the magazine catch to remove the magazine.
- Remove the bolt.
- Remove sling or any other accessories.

DISASSEMBLING AND ASSEMBLING THE BOLT

DISASSEMBLING THE BOLT

The bolt can be disassembled as follows:

1. Hold the bolt body firmly and then carefully turn the bolt shroud clockwise approximately ¼ turn (1, (Fig. 32)).
2. When the bolt shroud disengages, the firing pin assembly can be pulled out of the bolt body (2).

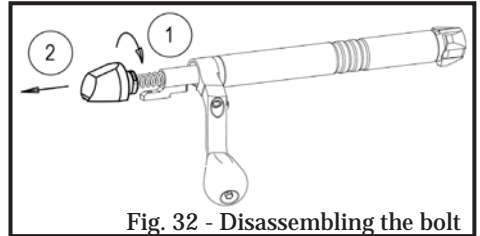


Fig. 32 - Disassembling the bolt

⚠ WARNING

When disassembling the bolt pay special attention when releasing the firing pin spring tension in order not to cause any injury to the user or loss of components.

ASSEMBLING THE BOLT

The bolt, including the firing pin components, are assembled in reverse order to the disassembly, as follows:

1. Insert the firing pin assembly, with the spring and spring guide, into the bolt.
2. Place the bolt shroud to the firing pin spring / spring guide so that the opening in the bottom of the bolt shroud aligns with the rear part of the firing pin cocking piece.
3. When the cocking piece points opposite to the bolt handle, push the bolt shroud hard towards the bolt body so that the bolt shroud meets the rear part of the bolt body.
4. While keeping the bolt shroud pushed against the bolt body, turn the bolt shroud counter-clockwise until the rounded front surface of the cocking piece clicks in to the resting groove on the rear of the bolt body. The bolt is now cocked and can be slid back into the receiver.

ⓘ NOTICE

When assembling the bolt be sure not to overturn the bolt shroud so that the cocking piece falls to the forward (uncocked) position. In case this happens, turn the bolt shroud clockwise to align the cocking piece and resting groove.

MAGAZINE

⚠ CAUTION

No alterations should be made to magazine feeding lips or to the magazine box in order to correct improper feeding or other malfunction. In case of improper feeding or other malfunction occurs replace the magazine with a complete spare part magazine.

ADJUSTMENTS OF THE TRIGGER MECHANISM

REMOVING/INSTALLING THE TRIGGER MECHANISM

1. Make sure that the rifle is not loaded with ammunition.
2. Remove the bolt and the magazine.
3. Turn the safety OFF by pushing the safety to its forward position.
4. Pull the trigger to allow the T25 Torx-key to be inserted through the opening in the bottom of the trigger guard.
5. Open the fastening screw of the trigger unit using a T25 Torx-key.
6. Pull the trigger unit downwards out of the rifle (Fig. 33).

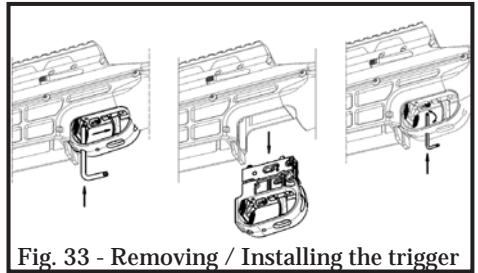


Fig. 33 - Removing / Installing the trigger

Installation is carried out in reverse order. Remember to tighten the trigger mechanism fastening screw carefully.

ⓘ NOTICE

Before the final tightening of the fastening screw, ensure by moving the trigger mechanism that it fits evenly in its slot in the receiver.

ADJUSTING TRIGGER PULL WEIGHT

Adjusting the trigger pull weight adjusts both the first stage and second stage pull weights equally. The trigger pull weight adjustment is carried out as follows (Fig. 34):

1. Introduce a T10 Torx-key to the screw through the opening in the trigger guard.
2. The trigger pull weight will increase when the adjustment screw is turned clockwise. Locking of the adjustment screw with locking agent is not required.

Movement of the adjustment screw is limited by an Allen screw. The trigger pull weight can be adjusted within the 1,3 – 2,3 kg (2.9 to 5.1 lbs) adjustment range.

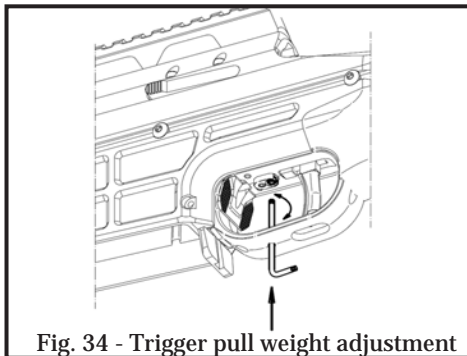


Fig. 34 - Trigger pull weight adjustment

⚠ WARNING

For safety reasons, do not attempt to reduce trigger pressure below 1,3 kg (2.9 lbs).

⚠ WARNING

The inner components of the trigger are precision mechanisms, which were properly adjusted at the factory. They should not be altered, modified or changed. Modifications to the firearm may decrease its safety and increase the risk of serious injury.

If you notice any kind of change in operation of the trigger, take the rifle to an authorized Sako service for inspection.

ADJUSTING THE TRIGGER LEVER

The trigger lever can be adjusted horizontally as well as rotated both vertically and horizontally. The trigger lever is adjusted as follows (Fig. 35):

1. Before adjusting the trigger pitch, loosen the fastening screw using a T10 Torx-key.
2. Set the trigger to the desired position.
3. Re-tighten the screw after adjustment and verify the functioning of the trigger.

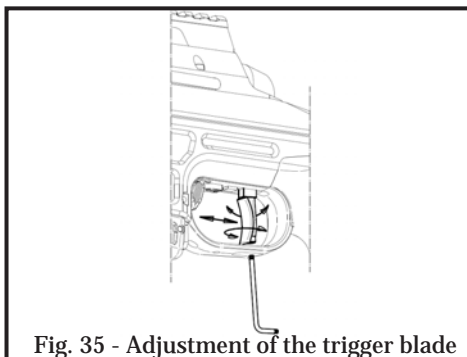


Fig. 35 - Adjustment of the trigger blade

CHANGING THE CALIBER CONFIGURATION

To change the caliber configuration, it is necessary to replace the barrel, bolt and magazine to the caliber specific ones. Caliber designation is marked on each of the components. The barrel and bolt have identification grooves in the middle section. The magazine has identification circles on sides of the bottom. Different calibers can be identified according the following table:

NUMBER OF GROOVES/CIRCLES	CALIBER
1	.308 Winchester
2	.300 Winchester Magnum
3	.338 Lapua Magnum

REMOVING AND RE-ATTACHING THE FORE-END

The fore-end is fastened with two T25 Torx screws (A) on the right side of the receiver. The fore-end can be removed as follows:

1. Loosen the front screw approx. 1,5-2 turns with T25 Torx key (Fig. 36).
2. Loosen the rear screw completely and pull it out until the integrated stopper stops the movement (Fig. 37).
3. Slide the fore-end forward off the receiver.

The fore-end is re-attached in reverse order. First, slide the fore-end over the barrel and onto the receiver. The fore-end is guided in place by mating the notch in the front of the MIL-STD-1913 rail on the receiver and a corresponding slot in the MIL-STD-1913 rail on top of the fore-end. Push the rear fastening screw into the fore-end and tighten both fastening screws properly using T25 Torx-key.

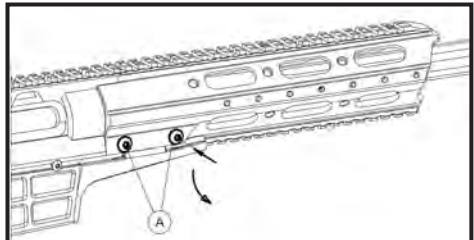


Fig. 36 - Loosening the fore-end

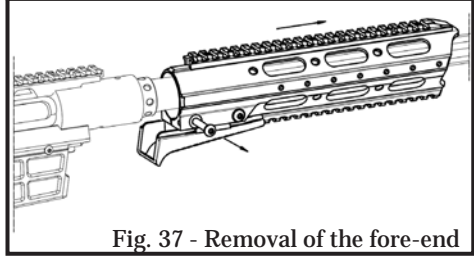


Fig. 37 - Removal of the fore-end

NOTICE

Make sure the front fastening screw is opened 1,5-2 turns and the rear screw pulled out before sliding the fore-end on to the receiver.

CAUTION

The T25 Torx key and spanner wrench on the bolt handle are intended to be used in temporary field conditions only. Use dedicated high quality tools for regular use.

CHANGING THE BARREL

After removing the fore-end, the barrel can be changed as follows:

1. Completely open the barrel nut (Fig. 38) turning it counter-clockwise using the TRG M10 spanner wrench.
2. Pull the barrel assembly forward out of the receiver.
3. Carefully clean the contacting surfaces of the receiver and barrel extension (e.g. with accessory TRG cleaning kit).
4. Slide the new barrel assembly onto the receiver. A guiding slot (A, Fig. 39) in the barrel extension and in the expansion ring should be pointing to the top of the receiver. Two pins inside the top of the receiver guide the barrel assembly into the right position.
5. Once the expansion ring is in the correct position, turn the barrel nut clockwise.
6. Tighten the barrel nut using spanner wrench with built-in torque (approx. 20 Nm).
7. Re-attach the fore-end.

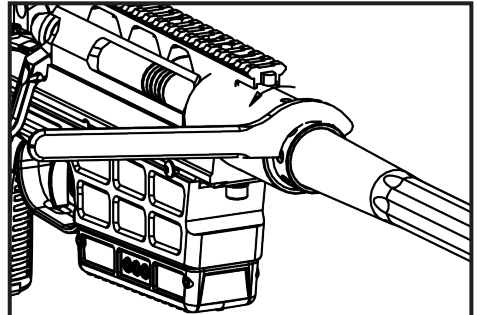


Fig. 38 - Opening the barrel nut

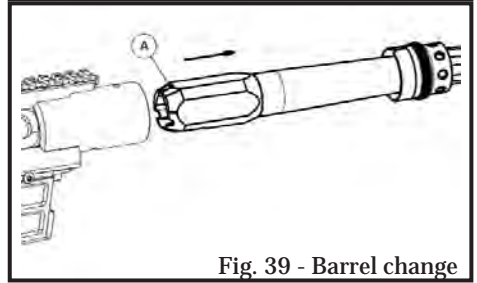


Fig. 39 - Barrel change

Insert the caliber-specific bolt and magazine according to instructions provided in the previous chapter.

5 ⚠ **WARNING**

After changing the caliber, it is very important to verify that the barrel, bolt and magazine are of the same caliber configuration. Use of wrong component could result in serious injury or severe damage to the rifle.

i **NOTICE**

The barrel of the SAKO TRG M10 is replaceable also in field conditions by the user using the bolt of the weapon as a tool.

REMOVING THE FOLDING STOCK

The folding stock can be removed from the receiver assembly as follows:

1. Loosen the top screw located in the top side behind the receiver by 1-2 turns with a T25 Torx key (Fig. 40).
2. Do the same for the bottom screw located in the bottom side between the pistol grip and the trigger guard.
3. Pull the folding stock rearwards off the receiver assembly.

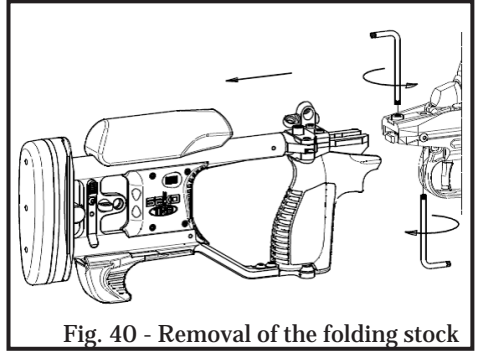


Fig. 40 - Removal of the folding stock

RE-ATTACHING THE FOLDING STOCK

1. Open the two fastening screws enough for clearance.
2. Slide the folding stock into the receiver assembly until the front part of the pistol grip comes into contact with the rear of the lower receiver.
3. Tighten the fastening screws with a T25 Torx-key.

TIGHTENING OF THE RECEIVER SCREWS

Receiver screws attach the upper receiver to the lower receiver. The receiver screws can be accessed when the fore-end and the trigger unit are disassembled from the receiver assembly (Fig. 41). Tightening of the receiver screws should be verified periodically. In case action screws are loose, they should be re-tightened to torque of 15 Nm with T25 Torx key, supplied with the rifle.

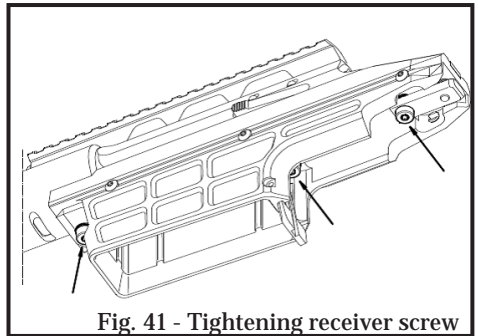


Fig. 41 - Tightening receiver screw

NOTICE

The rear receiver screw can only be tightened during the assembly when the rear stock is assembled.

REMOVING AND RE-ATTACHING REAR HOOK

The rear hook can be removed from the rear stock as follows:

1. Extend the length of pull to the rearmost position (Fig. 42).
2. Pull the front part of the rear hook slightly downwards and simultaneously push the rear hook backwards until it is released from the rail.

Reassembly of the rear hook is carried out in reverse order.

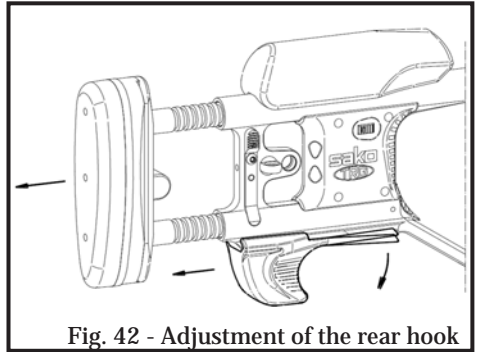


Fig. 42 - Adjustment of the rear hook

CHANGING PISTOL GRIP REAR SECTION

The pistol grip rear section can be changed as follows:

1. Fold the rear stock in order to reach the locking screw under the pistol grip.
2. Loosen the locking screw 2-3- turns with a T10 Torx-key.
3. Remove the pistol grip rear section by pulling out the bottom part first (Fig. 43).

The pistol grip rear part section is attached in reverse order starting from the top end. Once the rear part is completely in place it is secured by tightening the locking screw with a T10 Torx-key. Excessive torque should be avoided.

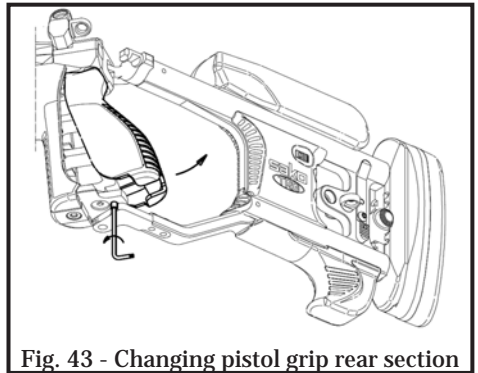


Fig. 43 - Changing pistol grip rear section

The different sizes are indicated as follows:

5

ABBREVIATION	SIZE
S	Small
M	Medium (factory setup)
L	Large

TROUBLESHOOTING – POSSIBLE CAUSES AND SOLUTIONS

Troubleshooting consists of identifying any faulty components through a systematic analysis of causes, which led to the detection of the malfunction, by means of tests carried out to determine the faulty part and remedies required to eliminate the problem.

In most cases, the rifle user can identify the problem and carry out the corrective action. The attached chart lists most common problems, possible causes and steps to be taken to keep the firearm and its components and accessories in operational condition.

TROUBLESHOOTING CHART

Table below contains a list of functional faults, possible causes and corrective actions required to rectify the problem.

MALFUNCTION	POSSIBLE CAUSE	SOLUTION
Bolt will not close.	Bolt is not cocked.	Cock the bolt.
	A faulty, deformed cartridge.	Replace the cartridge.
	Foreign objects in the chamber.	Clean the chamber.
	Action is damaged.	Repair beyond user's capabilities. Turn to qualified maintenance for corrective action.
Closing or opening bolt is difficult.	Cocking surface is damaged.	Repair beyond user's capabilities. Turn to qualified maintenance for corrective action.
	Faulty cartridge.	Replace the cartridge with a new one.
Rifle cannot be cocked.	Trigger mechanism is not placed properly.	Check the attachment of the trigger mechanism.
	Cocking piece and / or sear rounded or cracked due to excessive wear or damage.	Repair beyond user's capabilities. Turn to qualified maintenance for corrective action.
	Dirt or foreign particles in the trigger mechanism.	Try removing dirt from the trigger unit with material in the provided cleaning kit. In case fault is not corrected, repair is beyond user's capabilities. Turn to qualified maintenance for corrective action.

MALFUNCTION	POSSIBLE CAUSE	SOLUTION
Misfires.	Faulty cartridge.	Make sure you use approved and good quality cartridges (C.I.P).
	Old tarred lubricant and/or dirt inside the bolt.	Perform periodic maintenance described in the 'Maintenance' chapter
	Damaged firing pin spring.	Repair beyond user's capabilities. Turn to qualified maintenance for corrective action.
	Damaged firing pin.	Repair beyond user's capabilities. Turn to qualified maintenance for corrective action.
Misfeeding of cartridge into the chamber.	Insufficient bolt movement.	Use precise and exact movements while operating the bolt.
	Damaged magazine.	Repair is beyond user's capabilities. Turn to qualified maintenance for corrective action.
	Dirt in the magazine.	Disassemble and clean the magazine
	Improper loading of the magazine.	Empty and reload the magazine.
Improper extraction.	Dirty or damaged extractor.	Clean the extractor with the material provided in the cleaning kit. In case fault is not corrected, repair is beyond user's capabilities. Turn to qualified maintenance for corrective action.
	Dirty or corroded chamber.	Perform routine cleaning procedure described in the 'Maintenance' chapter. In case fault is not corrected, repair is beyond user's capabilities. Turn to qualified maintenance for corrective action.
Improper ejection.	Dirty or damaged / stuck ejector/ejectors.	Clean the ejectors with the material provided in the cleaning kit. In case fault is not corrected, repair is beyond user's capabilities. Turn to qualified maintenance for corrective action.
	Fatigued ejector spring/springs.	Repair beyond user's capabilities. Turn to qualified maintenance for corrective action.

5

MALFUNCTION	POSSIBLE CAUSE	SOLUTION
Imprecise or in-constant trigger pull.	Misaligned or loose trigger mechanism.	Check attachment of the trigger mechanism.
	Dirt or tarred lubricant in the trigger mechanism.	Clean the trigger mechanism.
	Improperly adjusted trigger mechanism.	Adjust the trigger pull weight according to the instructions.
	Faulty trigger mechanism.	Repair beyond user's capabilities. Turn to qualified maintenance for corrective action.
Insufficient accuracy.	Scope mounting has become loose.	(Double) check the mounting of the scope.
	Lower receiver attachment to the action has become loose.	Check the receiver mounting screws.
	Fouling in the barrel.	Remove the gilding metal from the barrel.
	Flashes on the flanges of the muzzle brake.	Repair beyond user's capabilities. Turn to qualified maintenance for corrective action.
	Damaged optical sight.	Verify using another sight. Repair beyond user's capabilities. Turn to qualified maintenance for corrective action.
	Barrel fastening has become loose.	Check the mounting of the barrel.

6 TECHNICAL DATA

Below is a list of technical data for the main components of the SAKO TRG M10 rifle (dimensions and weight may vary due to different weapon configurations).

Rifle **SAKO**
Model **TRG M10**
Manufacturer **SAKO Ltd., Finland**

ITEM	.308 Win	.300 Win Mag	.338 Lapua Mag
Overall weight*	6040 g / 13.32 lb	6600 g / 14.55 lb	6500 g / 14.33 lb
Length*, stock extended	1037 mm / 40.8 in	1130 mm / 44.5 in	1217 mm / 47.9 in
Length*, stock folded	790 mm / 31.1 in	883 mm / 34.8 in	969,5 mm / 38.2 in
Barrel length*	509,5 mm / 20.0 in	602,5 mm / 23.5 in	689 mm / 27 in
Number of grooves	4 (Right-handed)		
Twist rate	1/279,5 mm / 1/11 in	1/279,5 mm / 1/11 in	1/254 mm / 1/10 in
Bolt lift angle	60 °		
Trigger mechanism	2 stage		
Trigger pull weight adjustability	1,2 - 2,1 kg / 2.65 - 4.63 lb	1,2 - 2,1 kg / 2.65 - 4.63 lb	1,2 - 2,1 kg / 2.65 - 4.63 lb
Magazine capacity	10 cartridges	7 cartridges	8 cartridges
Fore-end	Long		
Optical sight interface	Continuous MIL-STD-1913 (Picatinny) at 12:00, 30 MOA forward cant		
Accessory interface	Detachable MIL-STD-1913 rail at 6:00 Detachable/configurable MIL-STD-1913 rail at 3:00 and 9:00		
Ammunition	Any standard caliber .308 Winchester ammunition manufactured according to the CIP.	Any standard caliber .300 Winchester Magnum ammunition manufactured according to the CIP.	Any standard caliber .338 Lapua Magnum ammunition manufactured according to the CIP.

* with unloaded magazine and no muzzle brake

sako

CARTRIDGES



*For optimum accuracy on your rifle,
demand Sako Cartridges from your
local gunshop.*